



Avenue des Nids de Poules – 85460 L’Aiguillon-Sur-Mer - France  
Tel : +33(0)2.51.30.44.00 – contact@erfi-fr.com

**AGS / AGE / AGEM  
+ VEF (MBC)**

**ADJUSTMENT AND STARTUP INSTRUCTIONS FOR THE MIXER  
(Pneumatic controlled mixer)**





Avenue des Nids de Poules – 85460 L'Aiguillon-Sur-Mer - France  
Tel : +33(0)2.51.30.44.00 – contact@erfi-fr.com

## ADJUSTMENT AND STARTUP INSTRUCTIONS FOR THE AGS MIXER

### (Pneumatic controlled mixer)

#### ADJUSTMENT

- Measure the combustion air pressure at the mixer inlet on the PP (pressure tap) air valve on the pressure switch or on the PP air valve on the '0' manometer
- Set the minimum air pressure switch to:  
Air pressure – (minus) 20mbar (0.28psi)
- Set the gas pressure downstream of the primary gas regulator to:  
Air pressure + (plus) 50mbar (0.71psi)
- Set the maximum gas pressure switch to:  
Gas pressure set in (c) + (plus) 20mbar.
- Set the mini gas pressure switch to:  
Gas pressure set at (c) – (minus) 20mbar (0.28psi).
- Set the maxi mixture pressure(s) switch(es) to:  
200mbar (2.8psi).
- Connect the '0' manometer to the PP air and gas valves on the mixer.
- Check that the micrometric screw of the air/gas ratio of the mixer is fully tightened (minimum gas flow)
- Check that the minimum/maximum settings of the control zones have been made according to the "Control Zone Settings" manual and that they are correct.  
Check that the temperature of the furnace or feeders is above 800°C (glassware).

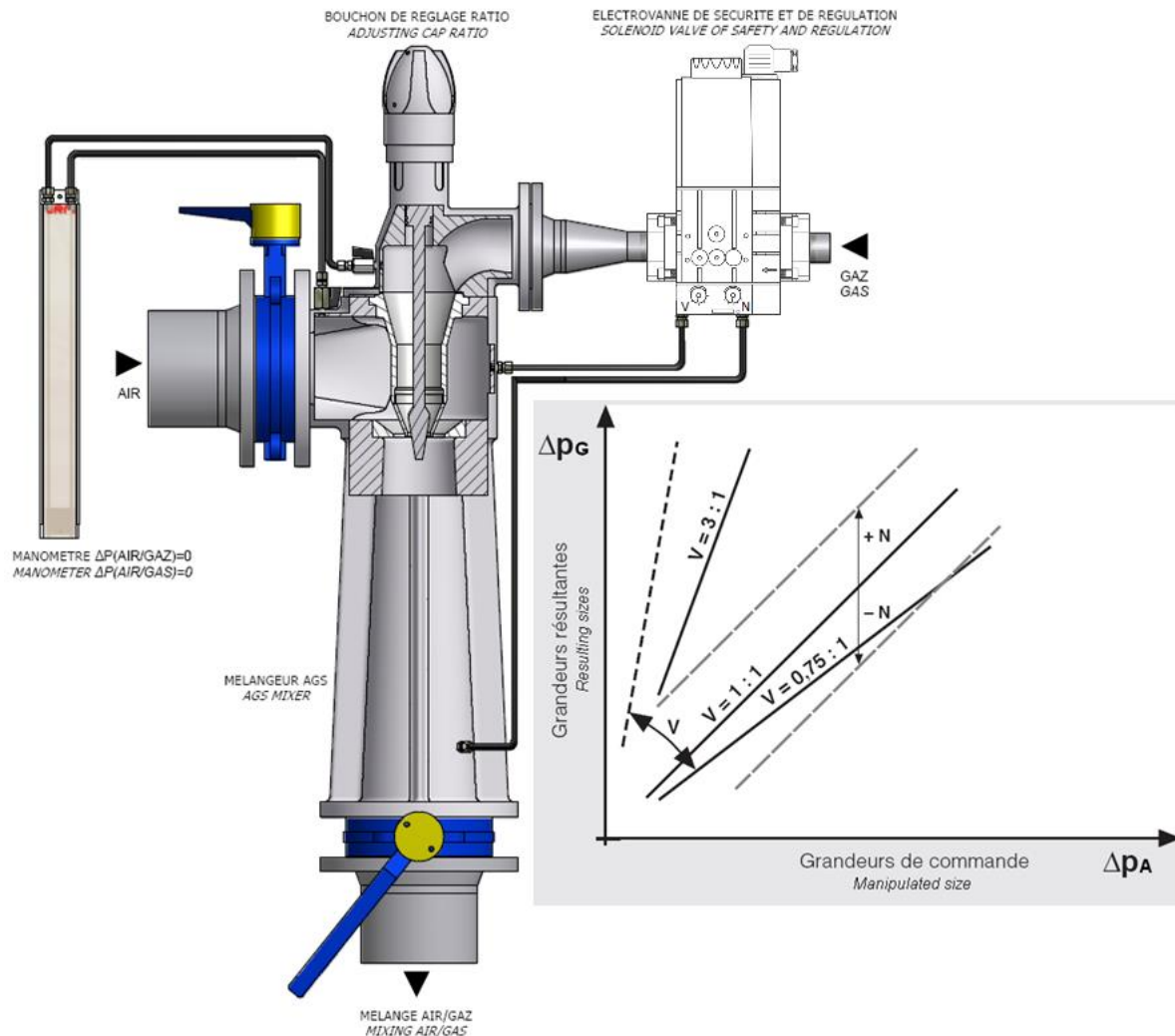
## START-UP

- Switch on the combustion air fan and then activate the motorized gas safety valve.

Check balance of pressure on the '0' manometer (air pressure = gas pressure) otherwise make the balancing by actuating the screws of the solenoid valve of the mixer.

- V = adjustable ratio between the gas pressure and the air pressure
- N = correction of unbalance between the air and gas ( $V \neq 1:1$  offset)
- When balancing is reached, to gradually loosen the micrometer screw of mixing screw by action on the adjusting cap (with key locking) located at the mixing head until obtaining the good combustion to the burners It will be then necessary to readjust the '0' with middle power by successive approaches.

When these adjustments have been made, the AGS mixer will maintain the air/gas ratio constant within its range of operation (modulation ratio 1/6).





Avenue des Nids de Poules – 85460 L’Aiguillon-Sur-Mer - France  
Tel : +33(0)2.51.30.44.00 – [contact@erfi-fr.com](mailto:contact@erfi-fr.com)